


Special Features

- Laser welded flush diaphragm
- Quick connect / disconnect for easy cleaning
- Suitable for food, dairy & pharmaceutical industries

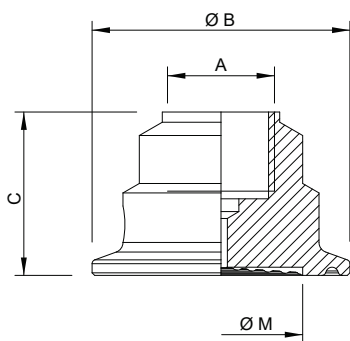
Application

- Diaphragm seals are provided in the instruments like pressure gauges, switches, transmitters in order to isolate the sensing element from the main service due to its corrosive, viscous and sedimented nature and to avoid clogging and solidification. These seals are used in hygienic applications where purity in process is essential - typically in food, dairy, beverages and pharmaceutical industries.

Specifications
Standard Version

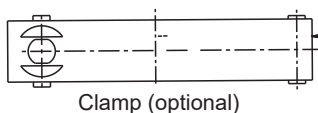
(Compatible models : AE, AH, AI, AL (NS 100 mm & 150 mm), BE, AD (63 mm))

Seal type & Range	: S16 = -1 to 0 & 0 to 40 kg/cm ² (Refer minimum range chart for range and size)
Process temperature	: -10°C to 180°C
Instrument connection	: ½" BSP (F)
Process connection	: 1 ½" SANITARY SEAL (without clamp & gasket)
Mounting	: Direct (without capillary)
Diaphragm	: AISI 316L SS
Body	: AISI 316 SS
Fill Fluid	: Food Grade Oil (OKS 370)

Dimensions - Standard Version (As per ISO 2852 & DIN 32676)
Type "S16"


DN	A	Ø B	C	Ø M	Weight (kg)#
DN 25 (1")	½" BSP (F)	50.5	32	19	0.20
DN 38 (1½")	½" BSP (F)	50.5	32	32	0.20
DN 50 (2")	½" BSP (F)	64.0	32	45	0.32

Sealing ring (optional)



Clamp (optional)

(# Weight in kg for Standard Model.)

Notes : • Drawings are not to scale. • All Dimensions are in mm.

Minimum Range Chart (According to diaphragm size)

DN	DN 63		DN 100/150	
	Gauge	Compound	Gauge	Compound
DN 25 (1")	0 ... 4 bar	-1 ... 3 bar	-	-
DN 38 (1½")	0 ... 2.5 bar	-1 ... 3 bar	0 ... 6 bar	-1 ... 5 bar
DN 50 (2")	0 ... 1 bar	-1 ... 1.5 bar	0 ... 1.6 bar	-1 ... 3 bar

How to Order
Example

Basic Model Code	DH
Optional Extras	
Seal Type	
S16 -1 to 0 & 0 to 40 kg/cm ² (Standard) (Refer Minimum Range chart while selecting the ranges and seal sizes)	XXX
Seal size	
YM 1" Sanitary Seal	
YN 1½" Sanitary Seal (Standard)	XX
YO 2" Sanitary Seal	
Instrument Connection	
VL ½" BSP (F) (Standard) VM ½" NPT (F) VP 3/8" BSP (F)	XX
Body	
CL AISI 316 SS (Standard) CM AISI 316L SS	XX
Bottom Mating Part	
KF 1" Sanitary Seal In AISI 316 SS KC 2" Sanitary Seal In AISI 316 SS	XX
KB 1½" Sanitary Seal In AISI 316 SS	
End Connection Of Bottom Mating Part	
4ZB ½" PIPE, Sch. 40 (Plain End) 5ZB ¾" PIPE, Sch. 40 (Plain End)	XX
Note : Threaded connections are available on request. Please consult factory.	
Diaphragm	
UJ AISI 316L (Standard)	XX
Filling Fluids	
UV Food Grade Oil (OKS 370) [-10 to 180°C/14 to 356°F] (Standard)	XX
Clamp	
ZN 1" Clamp AISI 304 SS ZP 2" CLAMP AISI 304 SS	XX
ZO 1½" Clamp AISI 304 SS	
Gasket (sealing Ring)	
FU 1" Silicon Gasket GW 1" PTFE Gasket	XX
FX 1½" Silicon Gasket GX 1½" PTFE Gasket	
FY 2" Silicon Gasket GY 2" PTFE Gasket	
Remote Mounting (with Capillary Of Max. Up To 2 Mtrs.)	
Specify In Meters (e.g. 1.5 = 1.5 METERS 2.0 = 2 METERS)	
Capillary	
PE AISI 304 SS PG AISI 316 SS	XX
Capillary Covered With Armour (applicable With PE Or PG If Selected)	
PF AISI 304 SS PH AISI 316 SS PI PVC (Ambient Temp. Max. 60°C)	XX
Other Options	
TB Helium Leak Test TC Dry Seal Only Without Instrument GH Material Test Certificates*	XX

* Material Test Certificates Will Be Provided For Wetted Parts Only With Chemical Composition Testing. For Others, Please Consult Factory.

Ordering Example: DH . XXX . XX . XX . XX . XX . XX . XX . XX . XX . 1Mtr . XX . XX . XX

For Other Optional Items, Please Contact Factory For Delivery And Minimum Quantity Of Order.

Note : Specifications and dimensions given in this product catalogue represents the state of engineering at the time of printing. Modifications may take place and materials specified may be replaced by others without prior notice.